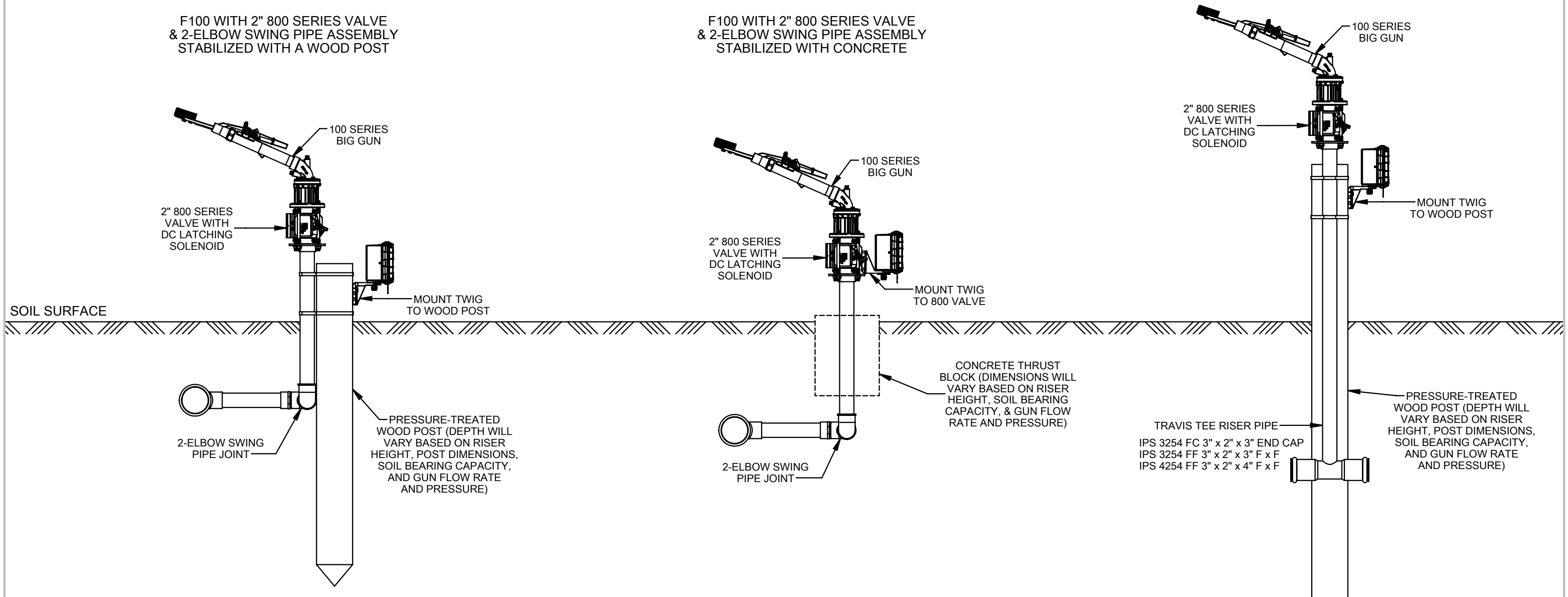


DRAWING NO.
Big Gun/Valve/
TWIG Riser Detail
DWG SHEET
2 OF 6
REV.
A

F100 WITH 2" 800 SERIES VALVE
& TRAVIS TEE RISER PIPE
STABILIZED WITH A WOOD POST

F100 WITH 2" 800 SERIES VALVE
& 2-ELBOW SWING PIPE ASSEMBLY
STABILIZED WITH A WOOD POST

F100 WITH 2" 800 SERIES VALVE
& 2-ELBOW SWING PIPE ASSEMBLY
STABILIZED WITH CONCRETE



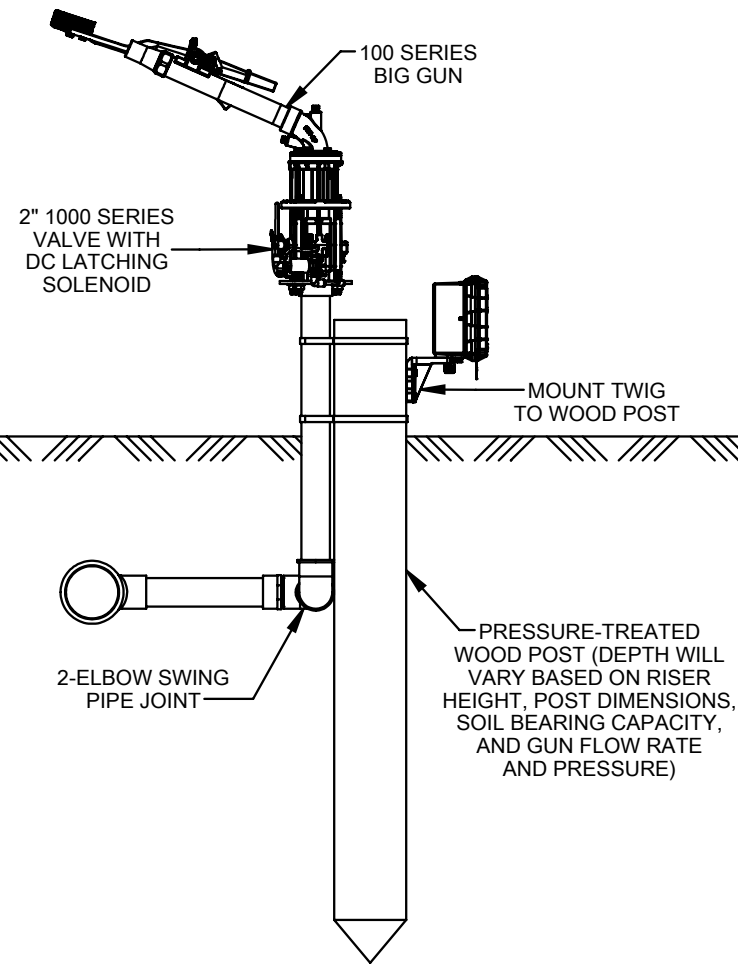
CONFIDENTIALITY NOTICE:
THIS DOCUMENT CONTAINS PROPRIETARY INFORMATION.

NOTE:
THE RISER HEIGHT ABOVE THE SUPPORT CAN AFFECT STABILITY OF THE SPRINKLER. IT SHOULD BE CAREFULLY DESIGNED, USING GOOD ENGINEERING PRACTICES, TO ADEQUATELY RESIST NOZZLE THRUST AND SPRINKLER OPERATION.

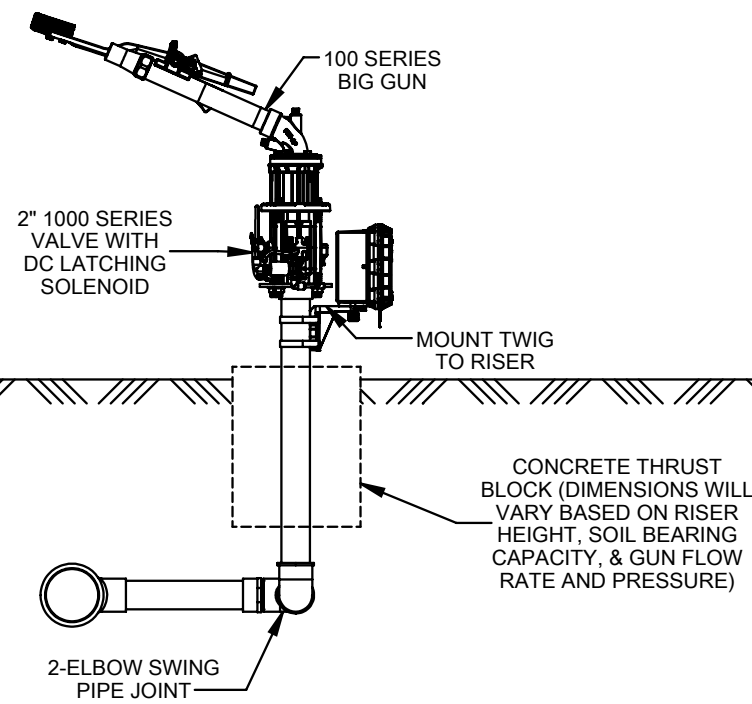
UNLESS OTHERWISE SPECIFIED			SCALE: 1:16	NELSON IRRIGATION CORPORATION WALLA WALLA, WASHINGTON USA	
DIMENSIONS ARE IN INCHES TOLERANCE ON ANGLES ±1° .XX ±.01 .XXX ±.005 .XXXX ±.0005 ALL MACHINED SURFACES 125 Ra MAX INTERPRET DIM AND TOL PER ASME Y14.5-2009			REL. DATE: 06-23-16		
THIRD ANGLE PROJECTION			MATERIAL:	THIS DOCUMENT CONTAINS CONFIDENTIAL AND PROPRIETARY INFORMATION THAT CANNOT BE REPRODUCED OR DISCLOSED IN WHOLE OR IN PART, WITHOUT WRITTEN AUTHORIZATION FROM NELSON IRRIGATION CORPORATION	
			WEIGHT:	EXP. NO. XXXX	
REV. NO. CHANGE DATE/BY			DRAWN BY: JPL	DRAWING NO. Big Gun/Valve/TWIG Riser Detail	
			CHECKED BY:	REV. A	
			APPROVED BY:	REDRAWN FROM:	
				DWG SHEET 2 OF 6	

DRAWING NO.
Big Gun/Valve/
TWIG Riser Detail
DWG SHEET
1 OF 6
REV.
A

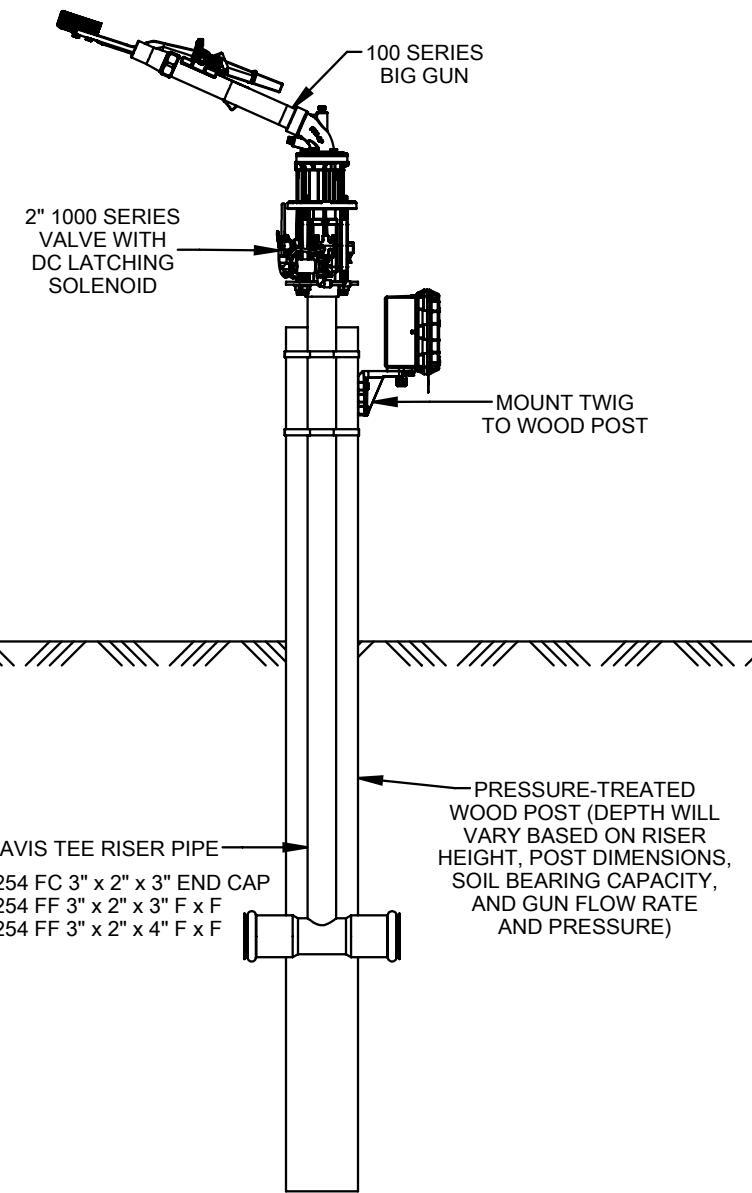
F100 WITH 2" 1000 SERIES VALVE & 2-ELBOW SWING PIPE ASSEMBLY STABILIZED WITH A WOOD POST



F100 WITH 2" 1000 SERIES VALVE & 2-ELBOW SWING PIPE ASSEMBLY STABILIZED WITH CONCRETE



F100 WITH 2" 1000 SERIES VALVE & TRAVIS TEE RISER PIPE STABILIZED WITH A WOOD POST



SOIL SURFACE

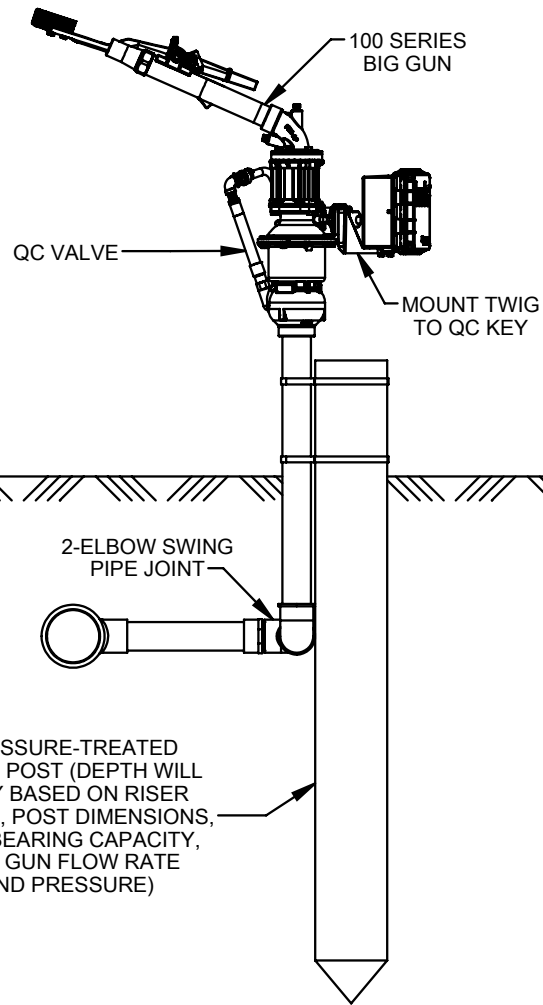
NOTE:
THE RISER HEIGHT ABOVE THE SUPPORT CAN AFFECT STABILITY OF THE SPRINKLER. IT SHOULD BE CAREFULLY DESIGNED, USING GOOD ENGINEERING PRACTICES, TO ADEQUATELY RESIST NOZZLE THRUST AND SPRINKLER OPERATION.

CONFIDENTIALITY NOTICE:
THIS DOCUMENT CONTAINS PROPRIETARY INFORMATION.

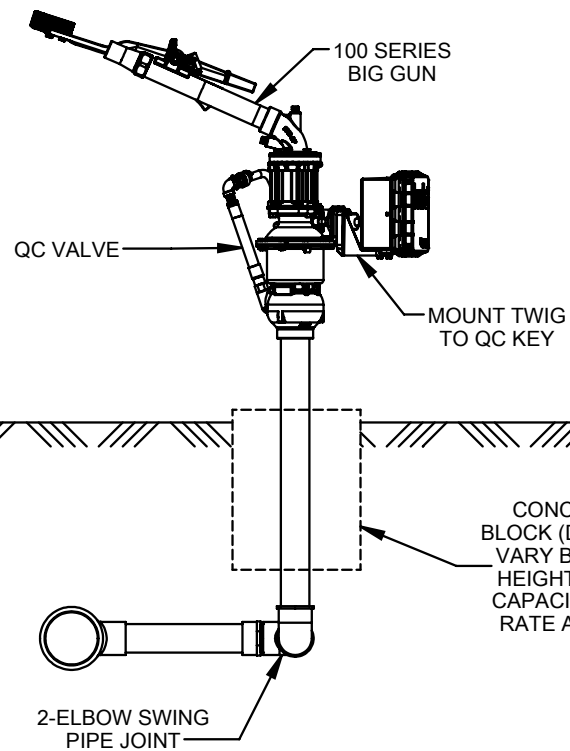
UNLESS OTHERWISE SPECIFIED			SCALE: 1:16	 WALLA WALLA, WASHINGTON USA			
DIMENSIONS ARE IN INCHES TOLERANCE ON ANGLES ±1° .XX ±.01 .XXX ±.005 .XXXX ±.0005 ALL MACHINED SURFACES 125 Ra MAX INTERPRET DIM AND TOL PER ASME Y14.5-2009			REL. DATE: 06-23-16				
THIRD ANGLE PROJECTION			NAME: 100 Big Gun/1000 Valve/TWIG Riser Detail	MATERIAL:			
			WEIGHT:	THIS DOCUMENT CONTAINS CONFIDENTIAL AND PROPRIETARY INFORMATION THAT CANNOT BE REPRODUCED OR DISCLOSED IN WHOLE OR IN PART, WITHOUT WRITTEN AUTHORIZATION FROM NELSON IRRIGATION CORPORATION			
			DRAWN BY: JPL	EXP. NO. XXXX	DRAWING NO. Big Gun/Valve/TWIG Riser Detail	REV. A	
			CHECKED BY:	REDRAWN FROM:		DWG SHEET 1 OF 6	
			APPROVED BY:				
REV. NO.	CHANGE	DATE/BY					

DRAWING NO.
Big Gun/Valve/
TWIG Riser Detail
DWG SHEET
3 OF 6
REV.
A

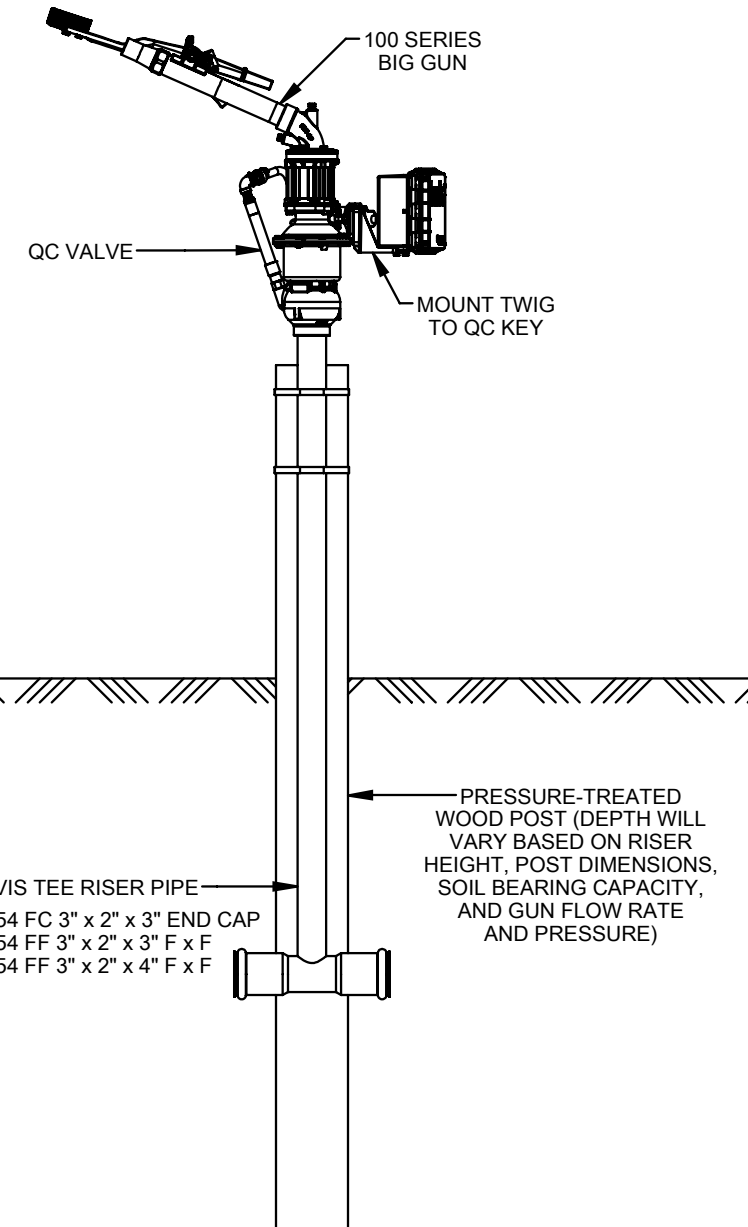
F100 WITH QC VALVE
& 2-ELBOW SWING PIPE ASSEMBLY
STABILIZED WITH A WOOD POST



F100 WITH QC VALVE
& 2-ELBOW SWING PIPE ASSEMBLY
STABILIZED WITH CONCRETE



F100 WITH QC VALVE
& TRAVIS TEE RISER PIPE
STABILIZED WITH A WOOD POST



NOTE:
THE RISER HEIGHT ABOVE THE SUPPORT CAN AFFECT STABILITY OF THE SPRINKLER. IT SHOULD BE CAREFULLY DESIGNED, USING GOOD ENGINEERING PRACTICES, TO ADEQUATELY RESIST NOZZLE THRUST AND SPRINKLER OPERATION.

CONFIDENTIALITY NOTICE:
THIS DOCUMENT CONTAINS PROPRIETARY INFORMATION.

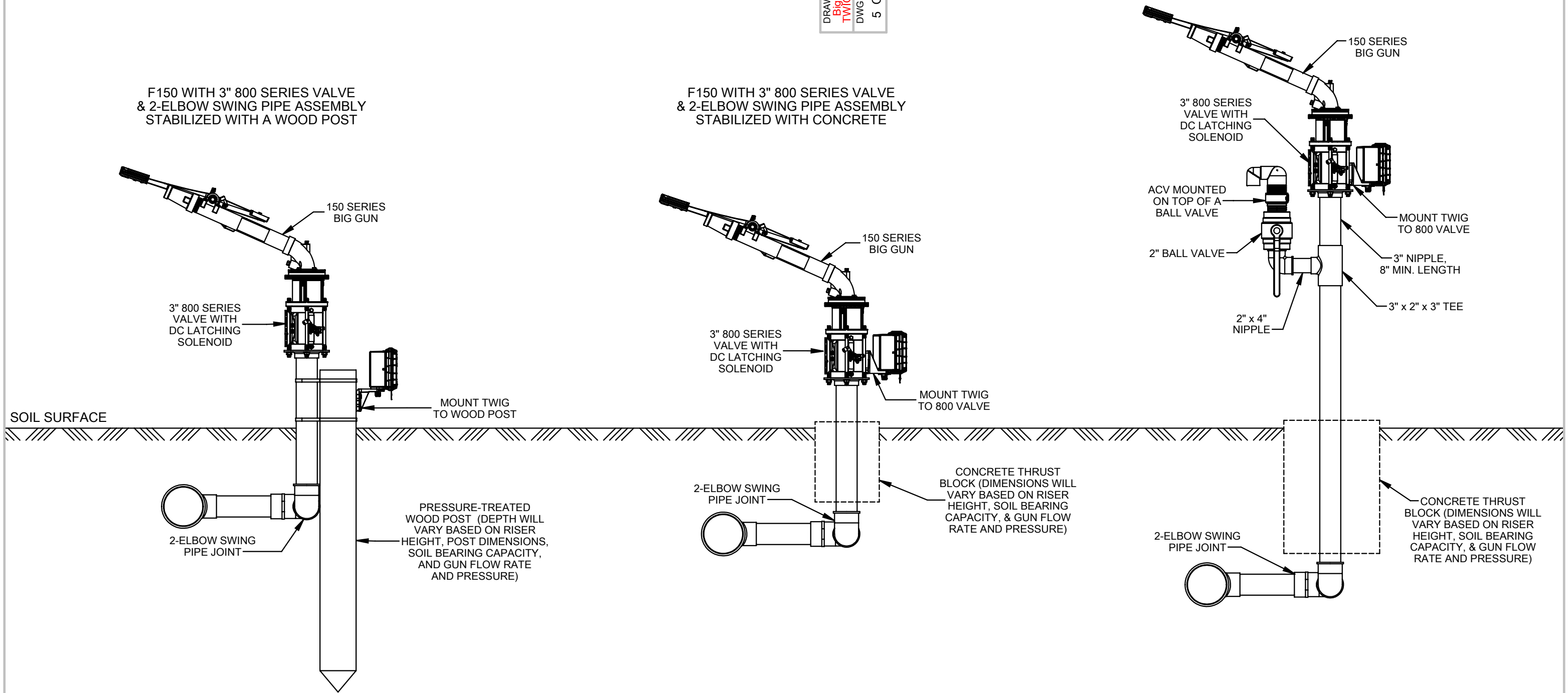
UNLESS OTHERWISE SPECIFIED			SCALE: 1:16	NELSON IRRIGATION CORPORATION WALLA WALLA, WASHINGTON USA	
DIMENSIONS ARE IN INCHES TOLERANCE ON ANGLES $\pm 1^\circ$.XX ± 0.01 .XXX ± 0.005 .XXXX ± 0.0005 ALL MACHINED SURFACES 125 Ra MAX INTERPRET DIM AND TOL PER ASME Y14.5-2009			REL. DATE: 06-23-16		
THIRD ANGLE PROJECTION			MATERIAL:	THIS DOCUMENT CONTAINS CONFIDENTIAL AND PROPRIETARY INFORMATION THAT CANNOT BE REPRODUCED OR DISCLOSED IN WHOLE OR IN PART, WITHOUT WRITTEN AUTHORIZATION FROM NELSON IRRIGATION CORPORATION	
			WEIGHT:	EXP. NO. XXXX	
REV. NO. CHANGE DATE/BY			DRAWN BY: JPL	DRAWING NO. Big Gun/Valve/TWIG Riser Detail	
			CHECKED BY:	REV. A	
			APPROVED BY:	REDRAWN FROM:	
				DWG SHEET 3 OF 6	

DRAWING NO. **Big Gun/Valve/
TWIG Riser Detail**
DWG SHEET **5 OF 6** REV. **A**

F150 WITH 3" 800 SERIES VALVE, ACV,
& 2-ELBOW SWING PIPE ASSEMBLY
STABILIZED WITH CONCRETE


F150 WITH 3" 800 SERIES VALVE
& 2-ELBOW SWING PIPE ASSEMBLY
STABILIZED WITH A WOOD POST

F150 WITH 3" 800 SERIES VALVE
& 2-ELBOW SWING PIPE ASSEMBLY
STABILIZED WITH CONCRETE



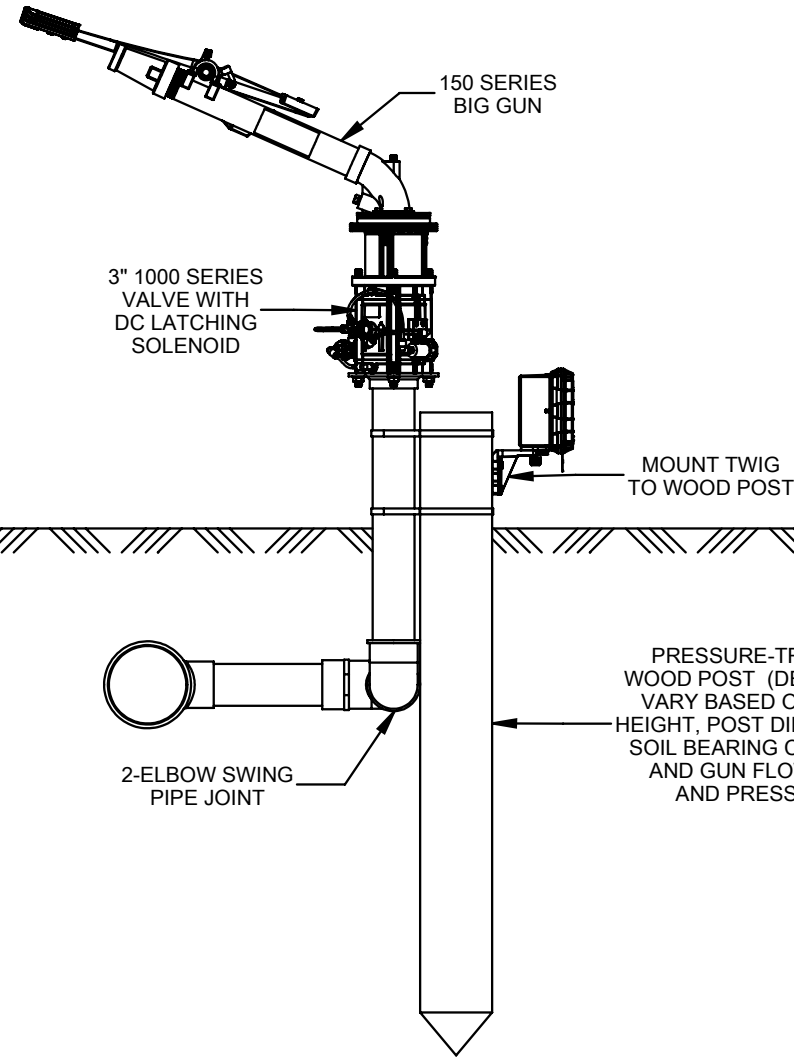
NOTE:
THE RISER HEIGHT ABOVE THE SUPPORT CAN AFFECT STABILITY OF THE SPRINKLER. IT SHOULD BE CAREFULLY DESIGNED, USING GOOD ENGINEERING PRACTICES, TO ADEQUATELY RESIST NOZZLE THRUST AND SPRINKLER OPERATION.

CONFIDENTIALITY NOTICE:
THIS DOCUMENT CONTAINS PROPRIETARY INFORMATION.

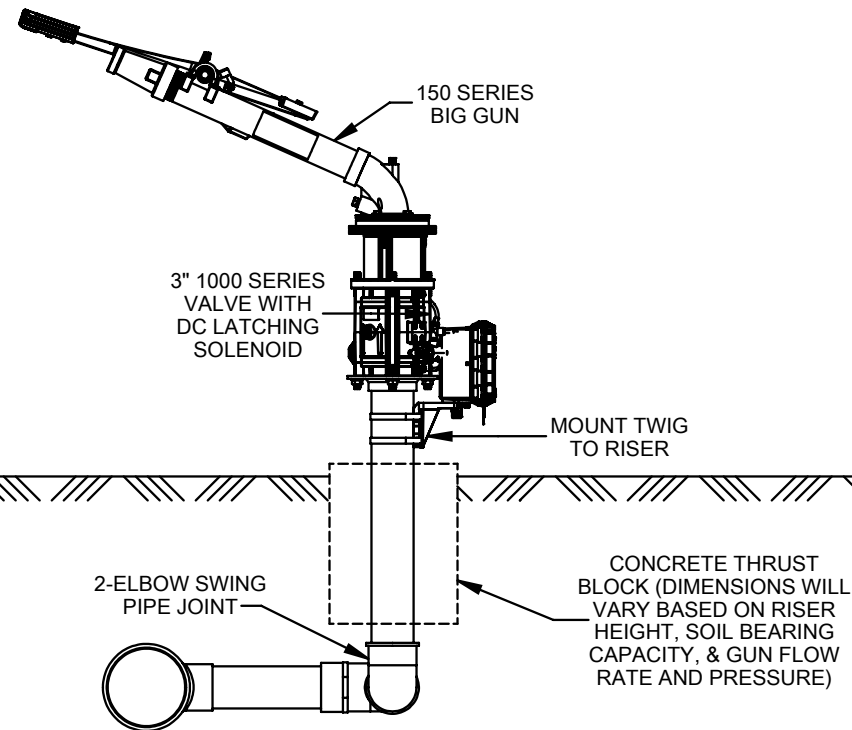
UNLESS OTHERWISE SPECIFIED			SCALE: 1:16	NELSON IRRIGATION CORPORATION WALLA WALLA, WASHINGTON USA	
DIMENSIONS ARE IN INCHES TOLERANCE ON ANGLES $\pm 1^\circ$.XX ± 0.01 .XXX ± 0.005 .XXXX ± 0.0005 ALL MACHINED SURFACES 125 Ra MAX INTERPRET DIM AND TOL PER ASME Y14.5-2009			REL. DATE: 06-23-16		
THIRD ANGLE PROJECTION			MATERIAL:	THIS DOCUMENT CONTAINS CONFIDENTIAL AND PROPRIETARY INFORMATION THAT CANNOT BE REPRODUCED OR DISCLOSED IN WHOLE OR IN PART, WITHOUT WRITTEN AUTHORIZATION FROM NELSON IRRIGATION CORPORATION	
			WEIGHT:	EXP. NO. XXXX	REV. A
REV. NO.	CHANGE	DATE/BY	DRAWN BY: JPL	DRAWING NO. Big Gun/Valve/ TWIG Riser Detail	
			CHECKED BY:	DWG SHEET 5 OF 6	
			APPROVED BY:	REDRAWN FROM:	

DRAWING NO. **Big Gun/Valve/
TWIG Riser Detail**
DWG SHEET **4 OF 6**
REV. **A**

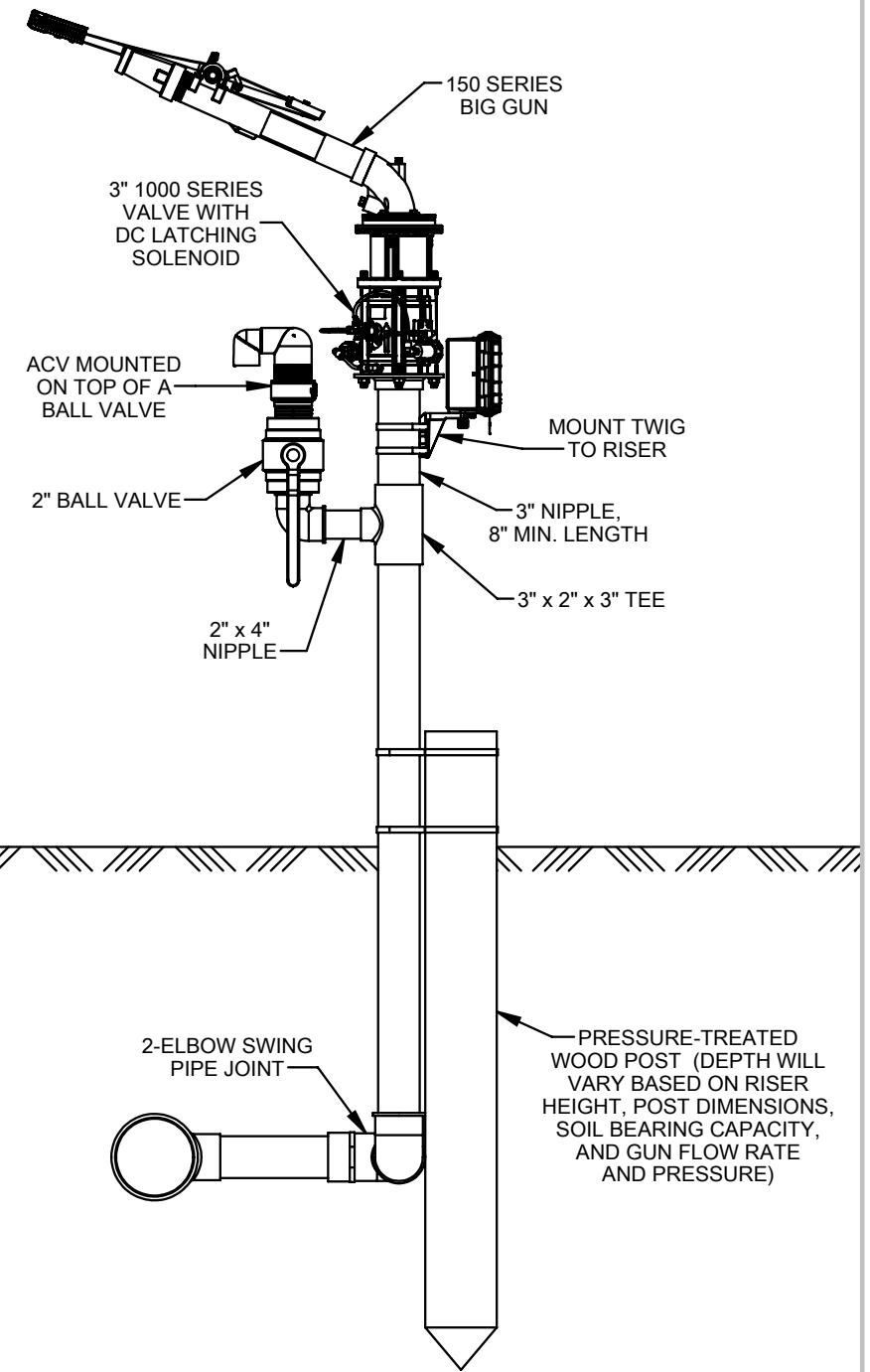
F150 WITH 3" 1000 SERIES VALVE & 2-ELBOW SWING PIPE ASSEMBLY STABILIZED WITH A WOOD POST



F150 WITH 3" 1000 SERIES VALVE & 2-ELBOW SWING PIPE ASSEMBLY STABILIZED WITH CONCRETE



F150 WITH 3" 1000 SERIES VALVE, ACV, & 2-ELBOW SWING PIPE ASSEMBLY STABILIZED WITH A WOOD POST



SOIL SURFACE

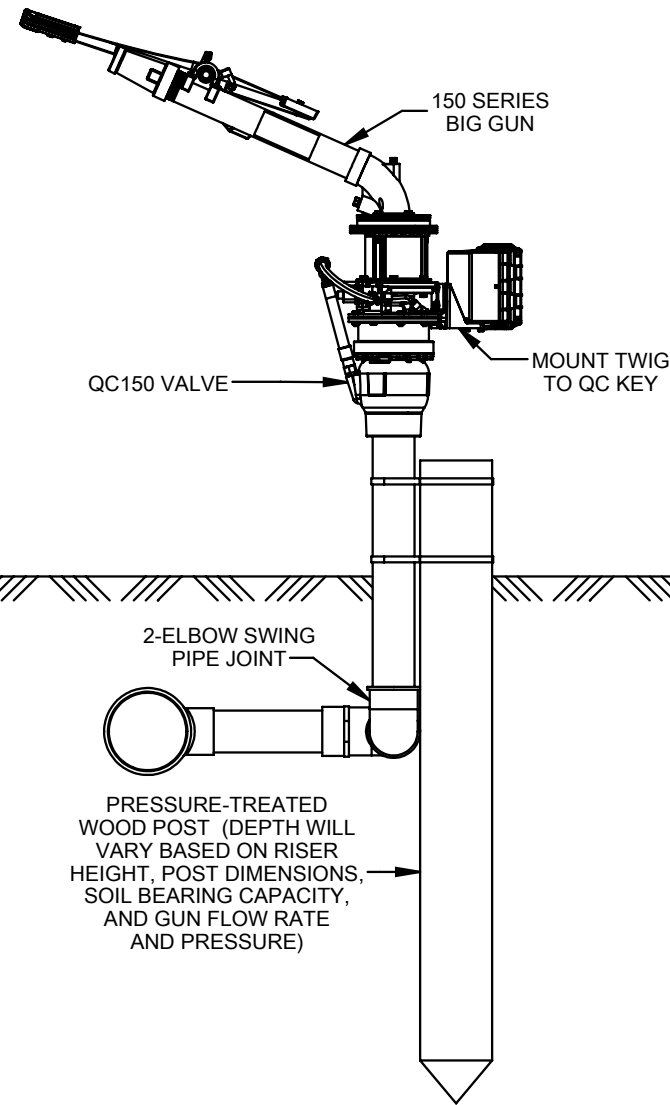
NOTE:
THE RISER HEIGHT ABOVE THE SUPPORT CAN AFFECT STABILITY OF THE SPRINKLER. IT SHOULD BE CAREFULLY DESIGNED, USING GOOD ENGINEERING PRACTICES, TO ADEQUATELY RESIST NOZZLE THRUST AND SPRINKLER OPERATION.

CONFIDENTIALITY NOTICE:
THIS DOCUMENT CONTAINS PROPRIETARY INFORMATION.

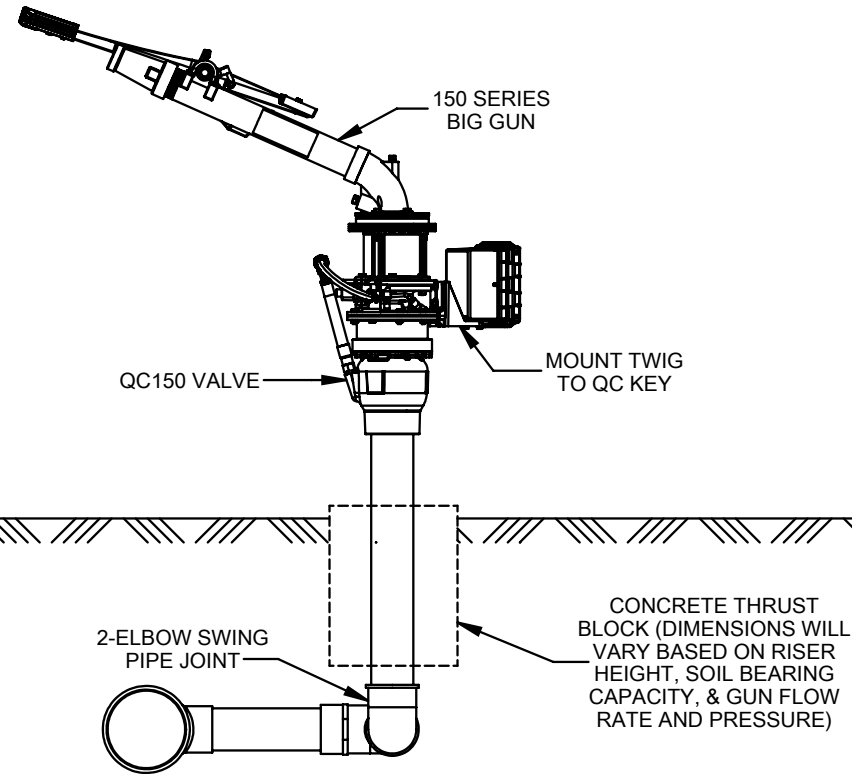
UNLESS OTHERWISE SPECIFIED			SCALE: 1:16	NELSON IRRIGATION CORPORATION WALLA WALLA, WASHINGTON USA	
DIMENSIONS ARE IN INCHES TOLERANCE ON ANGLES $\pm 1^\circ$.XX ± 0.01 .XXX ± 0.005 .XXXX ± 0.0005 ALL MACHINED SURFACES 125 Ra MAX INTERPRET DIM AND TOL PER ASME Y14.5-2009			REL. DATE: 06-23-16		
THIRD ANGLE PROJECTION			MATERIAL:	EXP. NO. XXXX	
			WEIGHT:	THIS DOCUMENT CONTAINS CONFIDENTIAL AND PROPRIETARY INFORMATION THAT CANNOT BE REPRODUCED OR DISCLOSED IN WHOLE OR IN PART, WITHOUT WRITTEN AUTHORIZATION FROM NELSON IRRIGATION CORPORATION	
			DRAWN BY: JPL	DRAWING NO. Big Gun/Valve/ TWIG Riser Detail	
REV. NO.	CHANGE	DATE/BY	CHECKED BY:	APPROVED BY:	REDRAWN FROM:
					DWG SHEET 4 OF 6

DRAWING NO. **Big Gun/Valve/
TWIG Riser Detail**
DWG SHEET **6 OF 6** REV. **A**

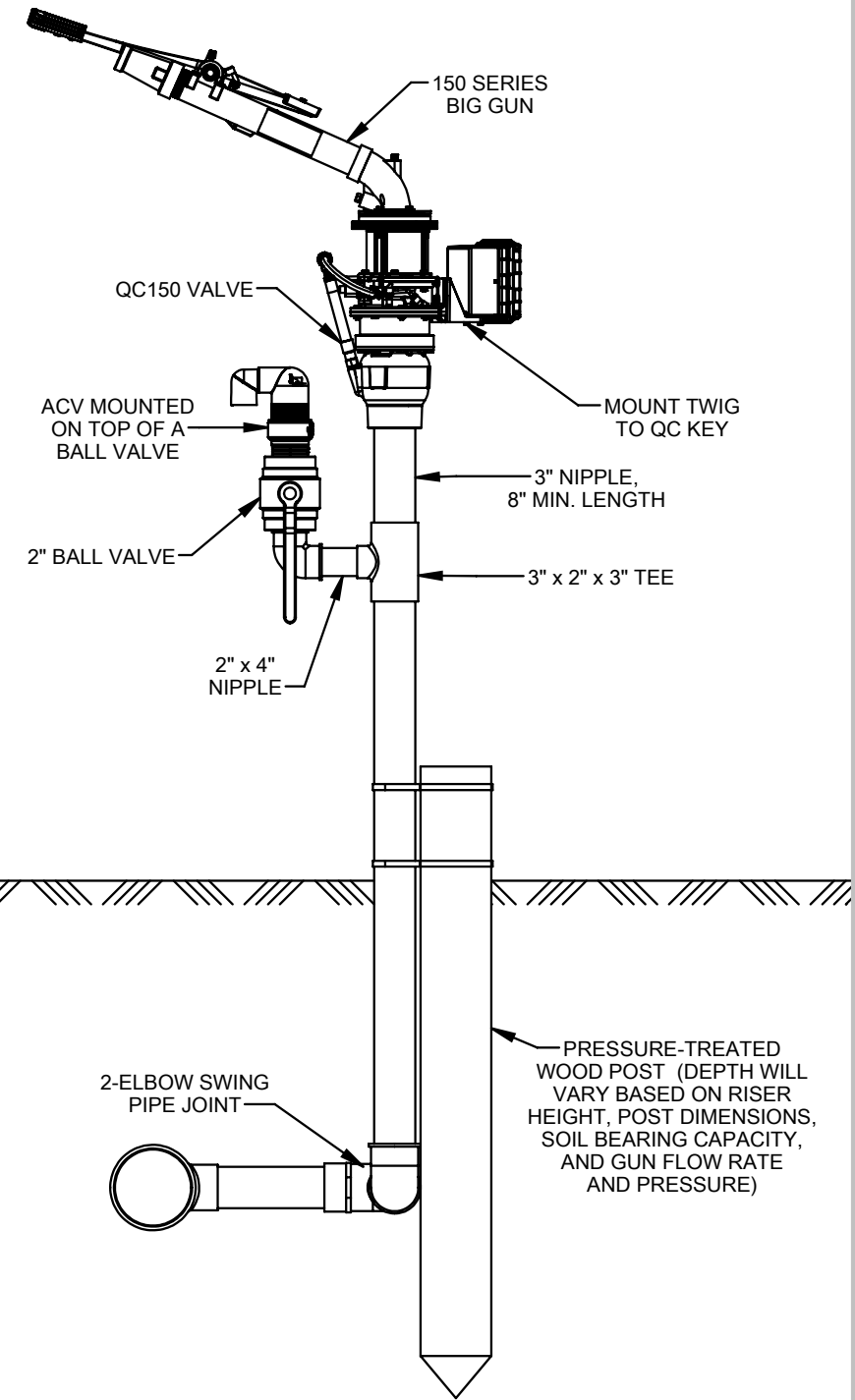
F150 WITH QC150 VALVE
& 2-ELBOW SWING PIPE ASSEMBLY
STABILIZED WITH A WOOD POST



F150 WITH QC150 VALVE
& 2-ELBOW SWING PIPE ASSEMBLY
STABILIZED WITH CONCRETE



F150 WITH QC150 VALVE, ACV,
& 2-ELBOW SWING PIPE ASSEMBLY
STABILIZED WITH A WOOD POST



SOIL SURFACE

NOTE:
THE RISER HEIGHT ABOVE THE SUPPORT CAN AFFECT STABILITY OF THE SPRINKLER. IT SHOULD BE CAREFULLY DESIGNED, USING GOOD ENGINEERING PRACTICES, TO ADEQUATELY RESIST NOZZLE THRUST AND SPRINKLER OPERATION.

CONFIDENTIALITY NOTICE:
THIS DOCUMENT CONTAINS PROPRIETARY INFORMATION.

UNLESS OTHERWISE SPECIFIED			SCALE: 1:16	NELSON IRRIGATION CORPORATION WALLA WALLA, WASHINGTON USA	
DIMENSIONS ARE IN INCHES TOLERANCE ON ANGLES $\pm 1^\circ$.XX ± 0.1 .XXX ± 0.005 .XXXX ± 0.0005 ALL MACHINED SURFACES 125 Ra MAX INTERPRET DIM AND TOL PER ASME Y14.5-2009			REL. DATE: 06-23-16		
THIRD ANGLE PROJECTION			MATERIAL:	THIS DOCUMENT CONTAINS CONFIDENTIAL AND PROPRIETARY INFORMATION THAT CANNOT BE REPRODUCED OR DISCLOSED IN WHOLE OR IN PART, WITHOUT WRITTEN AUTHORIZATION FROM NELSON IRRIGATION CORPORATION	
			WEIGHT:	EXP. NO. XXXX	
			DRAWN BY: JPL	DRAWING NO. Big Gun/Valve/ TWIG Riser Detail	
REV. NO.	CHANGE	DATE/BY	CHECKED BY:	APPROVED BY:	REDRAWN FROM:
					DWG SHEET 6 OF 6